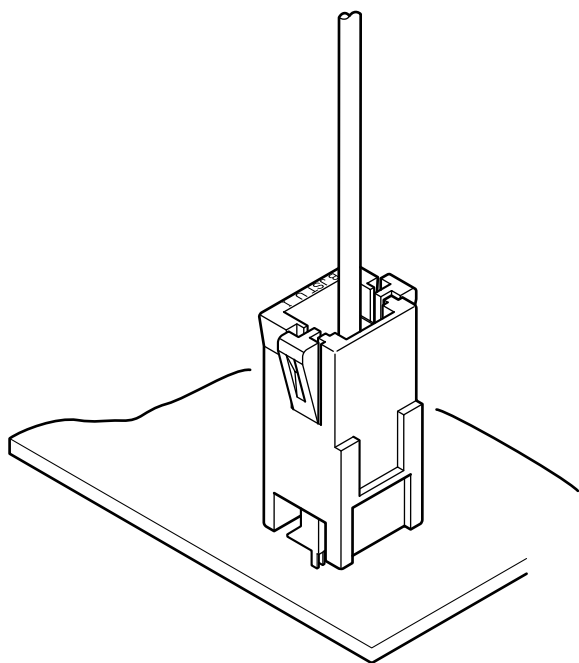


PMZ CONNECTOR



Designed to reduce the total cost by omitting the harness processing operation



Features

• **Omits the harness processing operation**

The wire can be directly mated with the connector either by being soldered or by using a tin-coated wire, thus harness processing cost can be omitted.

• **Smooth mating**

By sliding the housing, the wire can be inserted or withdrawn without force.

• **Locking device**

With the unique locking mechanism on the housing, the wire is securely held. The lock is released by grasping the housing.

• **High reliability**

The connector has two solder tails, thus soldering is reliable.

• **To the 2-circuits PMZ connector, AWG #18 vinyl-insulated flat cord (such as SPT, HVFF) can be connected.**

Specifications

- Current rating: (single circuit)3A AC, DC(AWG#22)
(2 circuits)7A AC, DC(AWG#18)
- Voltage rating: 250V AC, DC
- Temperature range: -25°C to +85°C
(including temperature rise in applying electrical current)
- Contact resistance: Initial value/10m Ω max.
After environmental testing/20m Ω max.
- Insulation resistance: 1,000M Ω min.
- Withstanding voltage: 500V AC/minute
- Applicable wire: AWG #18(2 circuits), AWG #22(single circuit)

Note: Use the stranded wire whose conductors are solder dipped after the insulation is removed by 10mm(.394") at the wire tip.

As for AWG #22, tin-coated wire can be used in place.

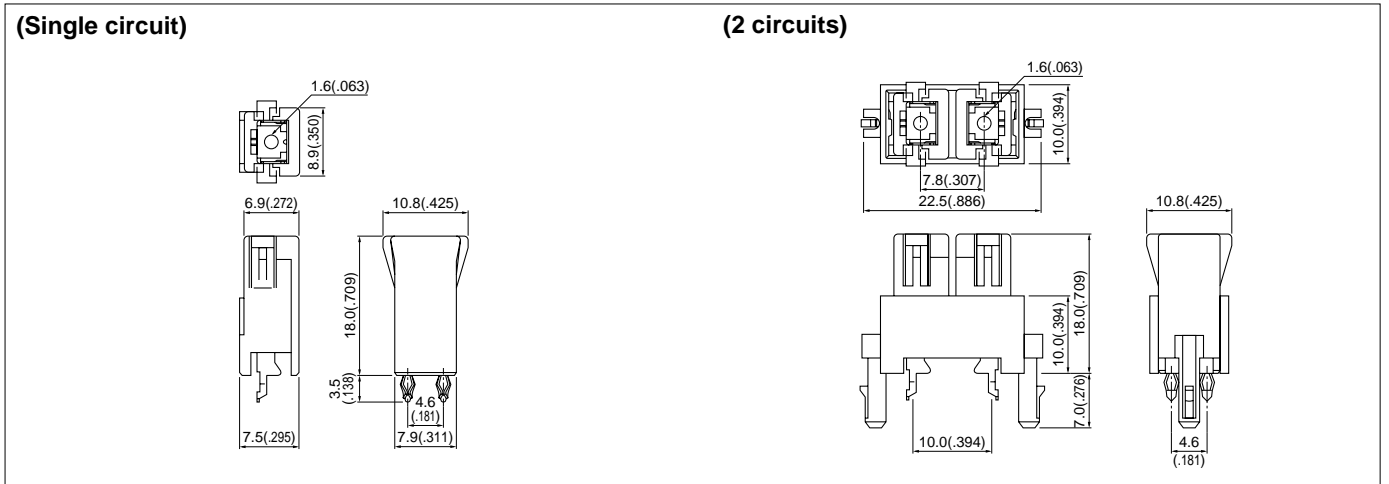
* Contact JST for details.

Standards

○ Recognized E60389

1 Certified LR20812

Connector



Circuits	Model No.	Material and Finish	Q'ty / bag
1	01PMZ-BTD-C2-K	Contact: Phosphor bronze, copper-undercoated, tin/lead-plated Socket housing: PBT, UL94V-0, black	700
2	02HPMZ-BTD-A-C1	01PMZ-BTD-C2-K...black 02HPMZ-BTD-A-C1...natural Holder housing (2-circuits with holder): PBT, UL94V-0, black	350

PC board layout (viewed from component side)

